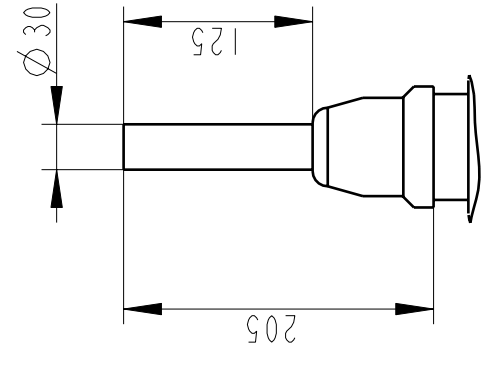
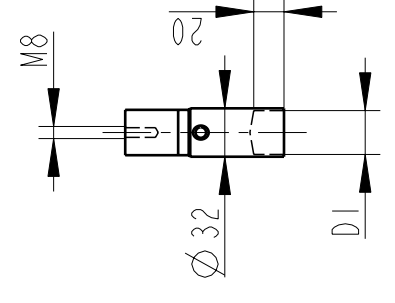


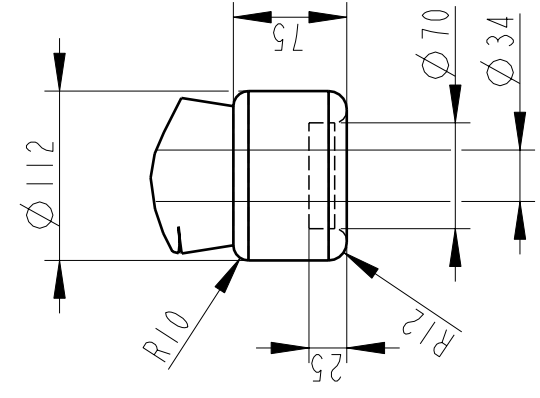
OUTER TERMINAL



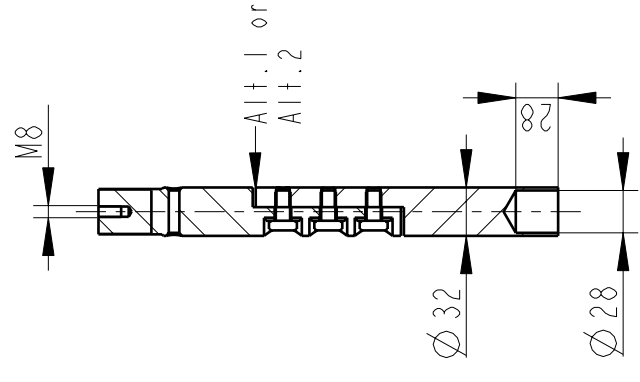
INNER TERMINAL FOR STRANDED CABLE



END SHIELD



SOLID ROD CONNECTOR



The solid rod can be divided either:
 Alt.1: 20mm below the bushing flange or
 Alt.2: 20mm below the upper end of the bottom porcelain

Bushing Data:

Rated Voltage	100	kV
Phase to Ground Voltage	72.5	kV
Dry Lightning Impulse 1,2/50µs	380	kV
Wet power frequency AC	150	kV
Routine test lmin dry 50Hz	162	kV
Rated Current	1250	A
Creepage Distance	2210±70	mm
Creepage Distance Protected	870	mm
Mass	39	kg

Ordering Data:

BUSHING	COLOUR AIR INSULATOR	
LF123043-K	BROWN	
-L	LIGHT GREY	
OUTER TERMINAL		
LF 170 002-B	Cu, Ø30, L=125	
LF 170 001-B	Al, Ø30, L=125	
OTHER TYPES ON REQUEST		
INNER TERMINAL FOR STRANDED CABLE		
For brazing	Conductor area	DI
LF 170 011-T	up to 285mm ²	Ø29
LF 170 011-V	Undrilled with pilot hole Ø5	
SOLID ROD CONNECTOR		
LF 170 052 -Z for Alt.1		
LF 170 052 -X for Alt.2		

ABB Components Lubvika, Sweden	
No.	U / S / AC
U	kV
S	tr
AC	A 50/60 Hz
kg	L
mm	V
pf	Tan δ
pf	Tan δ

Based on	Reg. No.
Prepared	Responsible department
Lövnord	COM/BK
Approved	Take over department
Johansson	Database
Design engineering review	
Hedlund	

Title	Language
GOB 380-1250-0.3	
WITHOUT OIL LEVEL GAUGE	
SHORT END SHIELD	
Page	Page
	I(1)
Document No.	2751369-135

ABB ABB Components

We reserve all rights in this document and in the information contained therein. Reproduction, use or disclosure to third parties without express authority is strictly forbidden. ©ABB